

PFT BOARDMASTER ToolGuide



Machine options

Ref.-no.	Description	Working length one-sided	Working length two-sided
00631894	Boardmaster 2500 mobil	2.500 mm	2.100 mm
00631891	Boardmaster 2500	2.500 mm	2.100 mm
00631892	Boardmaster 3150	3.150 mm	2.750 mm
00631893	Boardmaster 4000	4.000 mm	3.600 mm

All tools can be used on any machine, without regard to the working length!

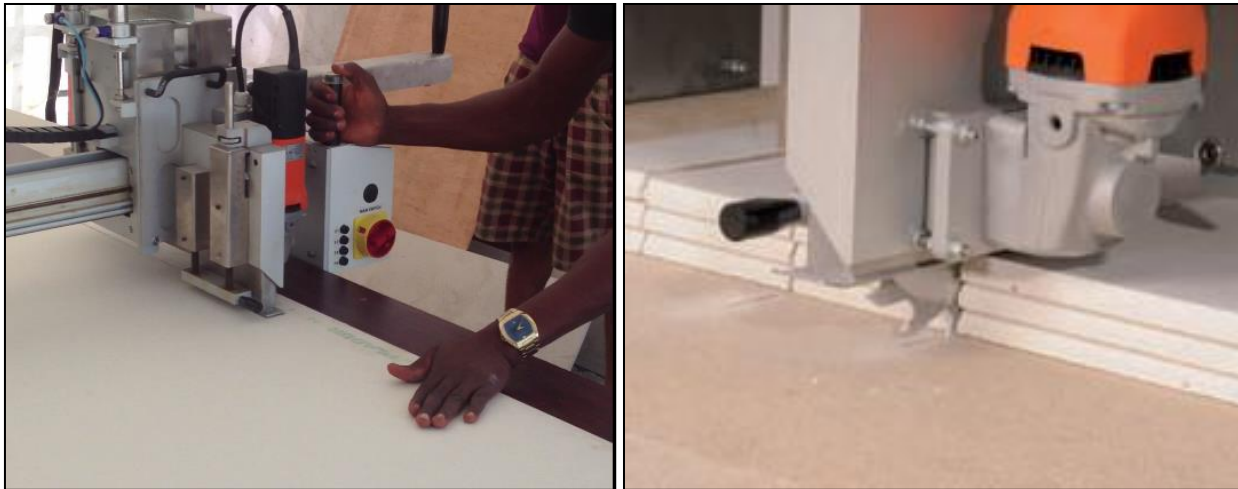
1. Longitudinal straight cuts



00207826



00207790



Part no.	Description
00207826	Sawing device for longitudinal sections 1530 W, 230 V
00207790	Saw blade Ø 160 mm
00596664	Sawing device for longitudinal sections 1800 W, 230 V
00596667	Saw blade Ø 190 mm

2. Perpendicular straight cuts



00207828



00207790



Part no.	Description
00207828	Sawing device for perpendicular sections 1530 W, 230 V
00207790	Saw blade Ø 160 mm
00596665	Sawing device for perpendicular sections 1800 W, 230 V
00596667	Saw blade Ø 190 mm

3. 90° V groove milling (1)



00207823



00207784

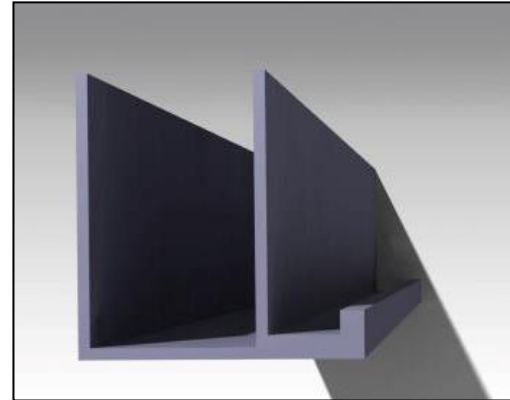
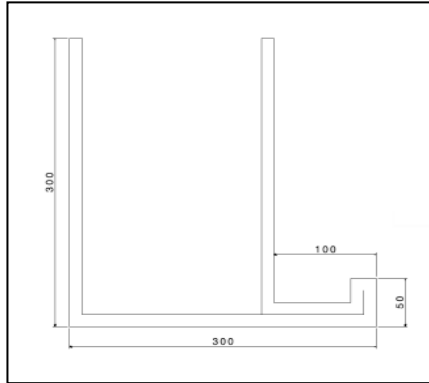


Part no.	Description
00207823	Milling device 1050 W, 230V
00207784	V groove milling bit for boards up to 15 mm
00207820	Milling device 1800 W, 230 V
00207916	V groove milling bit for boards up to 25 mm (only with 00207820)

4. 90° V groove milling (2)



00207823



00207784



Part no.	Description
00207823	Milling device 1050 W, 230V
00207784	V groove milling bit for boards up to 15 mm
00207820	Milling device 1800 W, 230 V
00207916	V groove milling bit for boards up to 25 mm (only with 00207820)

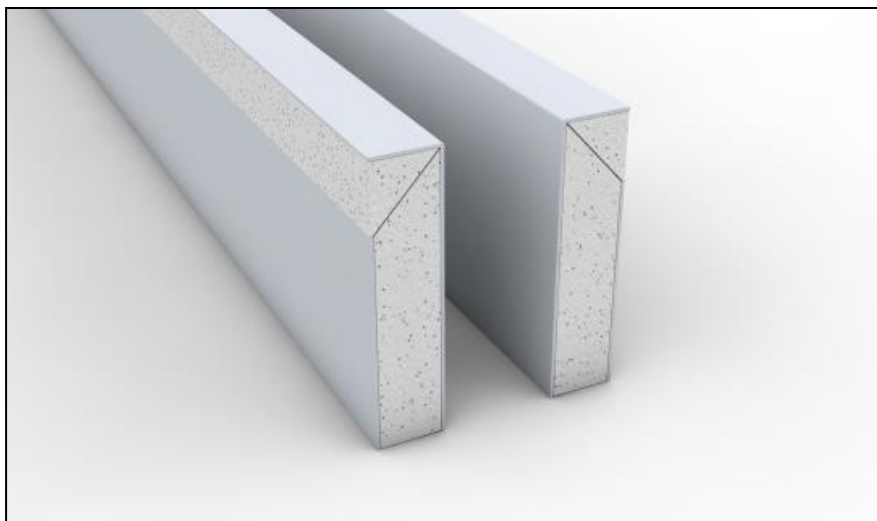
5. 90° V groove milling – paper edge



00207823



00207784



Part no.	Description
00207823	Milling device 1050 W, 230V
00207784	V groove milling bit for boards up to 15 mm
00207820	Milling device 1800 W, 230 V
00207916	V groove milling bit for boards up to 25 mm (only with 00207820)

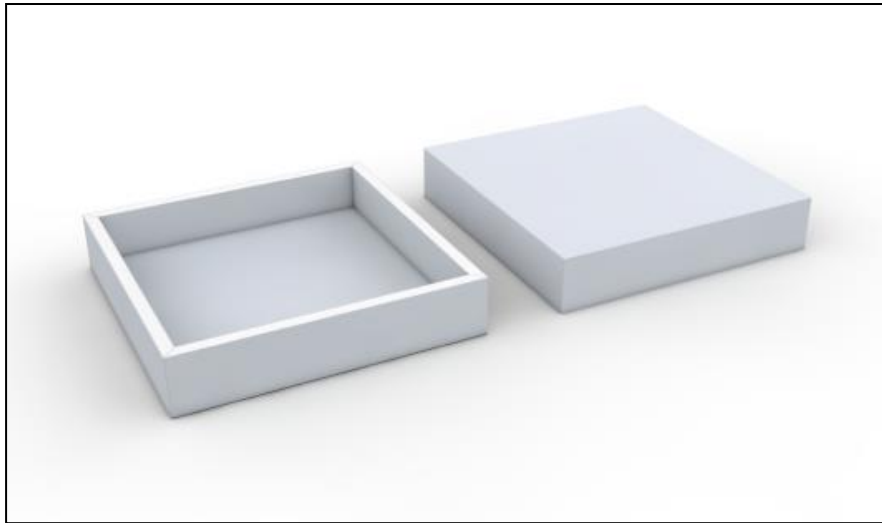
6. 90° V groove milling - boxes



00207823



00207784



Part no.	Description
00207823	Milling device 1050 W, 230V
00207784	V groove milling bit for boards up to 15 mm
00207820	Milling device 1800 W, 230 V
00207916	V groove milling bit for boards up to 25 mm (only with 00207820)

7. 90° V groove milling – shelf boards



00207823



00207784



Part no.	Description
00207823	Milling device 1050 W, 230V
00207784	V groove milling bit for boards up to 15 mm

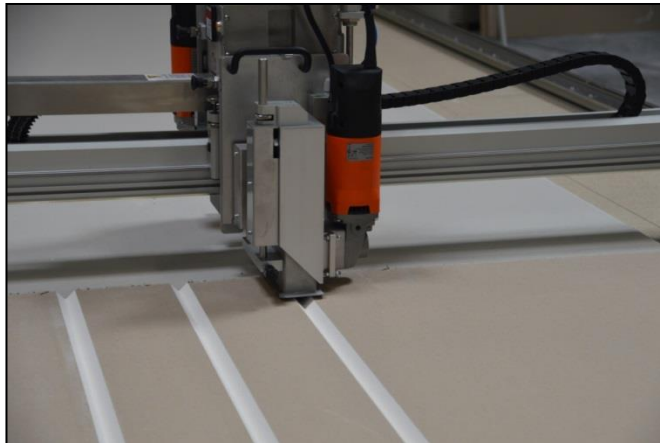
8. 90° V groove milling – big productions



00524117



00207839



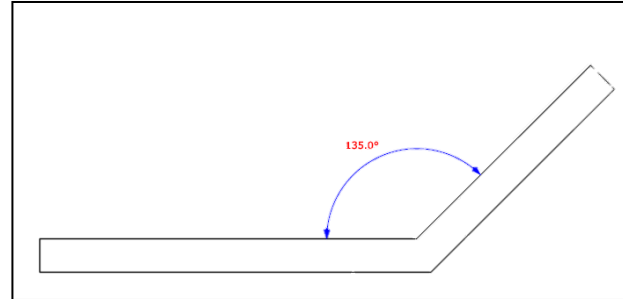
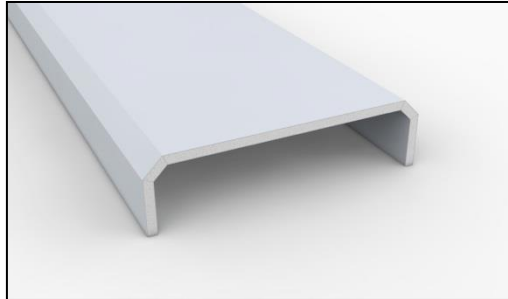
Part no.	Description
00524117	Package for 90° V-groove in combination with 6fold saw (00207830)
00207839	PFTfix primer device

9. V-groove milling cutter 30° | 45° | 60°

False beams; L or U shape with chamfer



00207823



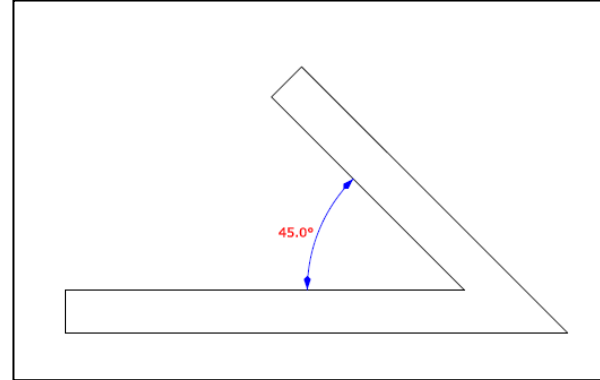
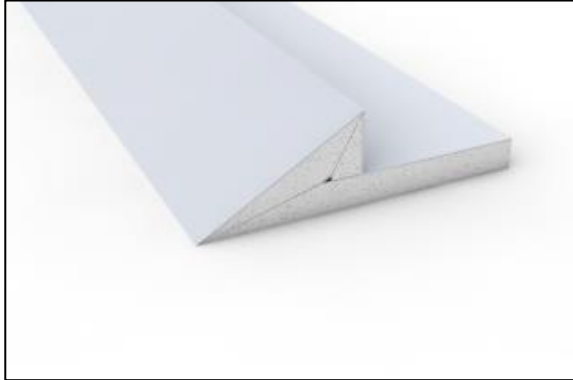
00207799

Part no.	Description	Board angle	Max. board thickness
00207823	Milling device 1050 W, 230V		
00207914	Milling bit 30°	150°	15 mm
00207799	Milling bit 45°	135°	15 mm
00207911	Milling bit 60°	120°	15 mm

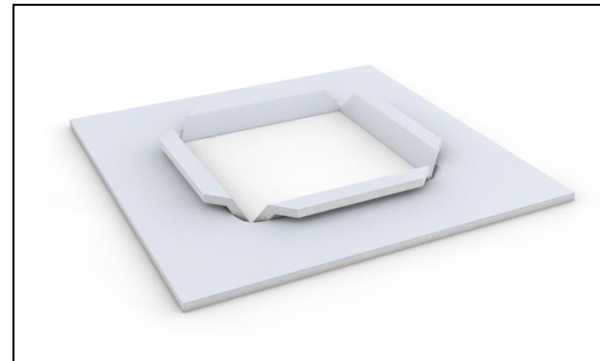
10. Milling of sharp angles 120° | 135°



00471658



00207921



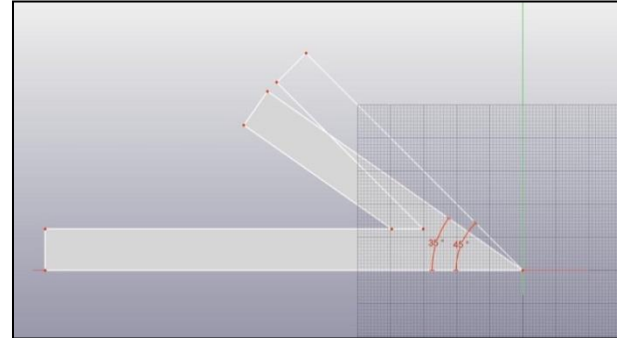
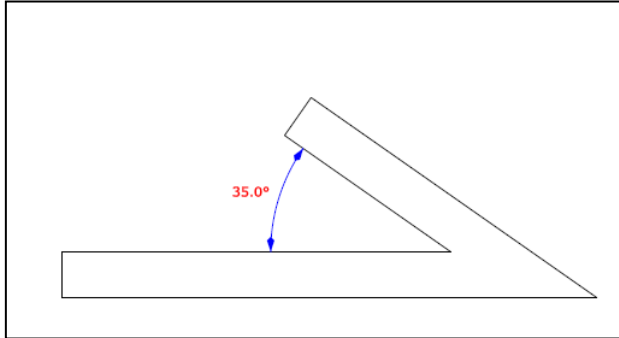
00207810

Part no.	Description	Board angle	Max. board thickness
00471658	Milling device 1600 W, 230V		
00207820	Milling device 1800 W, 230 V		
00207921	Milling bit 120°	60°	15 mm
00207810	Milling bit 135°	45°	15 mm

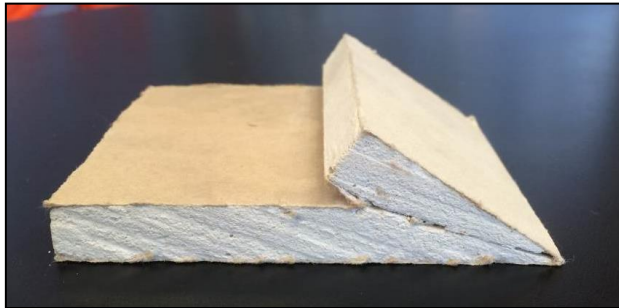
11. Milling of sharp angles superior to 135°



00471652



00471653



Part no.	Description	Board angle	Max. board thickness
00471652	1.050 W tilting milling device, for angles up to 145°	Down to 35°	15 mm
00471653	Straight milling bit for tilting device		

12. PFTstrong round-edge milling

Reinforced round edge with strengthening rod



00207823



00207994



00208076



Part no.	Description	Board angle	Max. board thickness
00207823	Milling device 1050 W, 230V		
00207994	PFTstrong, round edge milling bit 4 mm	90°	15 mm
00208076	PFTstrong steel rod		

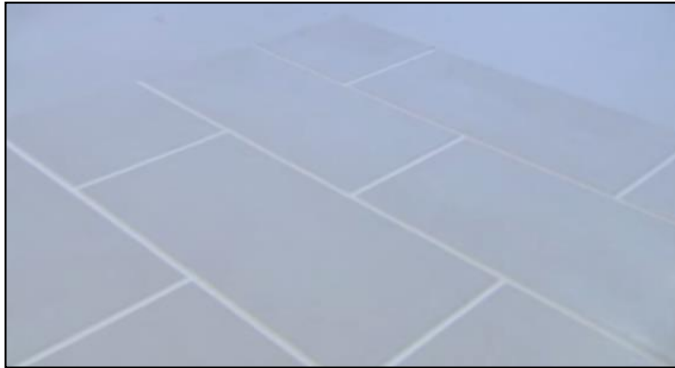
13. Stucco millings – Tile/brick imitation



00207823



00207809



Part no.	Description
00207823	Milling device 1050 W, 230V
00207809	Tile joint milling cutter - Radius 0.3 mm

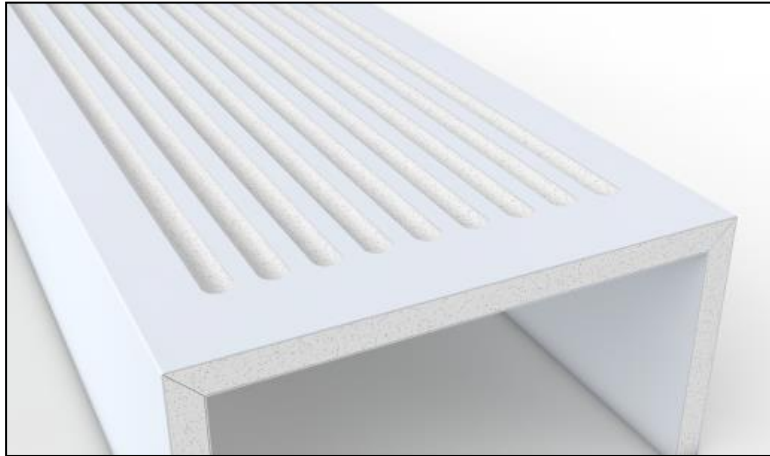
14. Stucco millings – Fluting



00207823



00207802



Part no.	Description
00207823	Milling device 1050 W, 230V
00207802	Fluting bit 16 mm
00207800	Fluting bit 20 mm
00207807	Fluting bit 24 mm

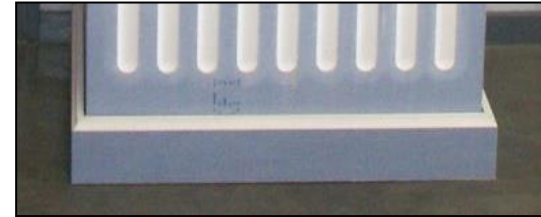
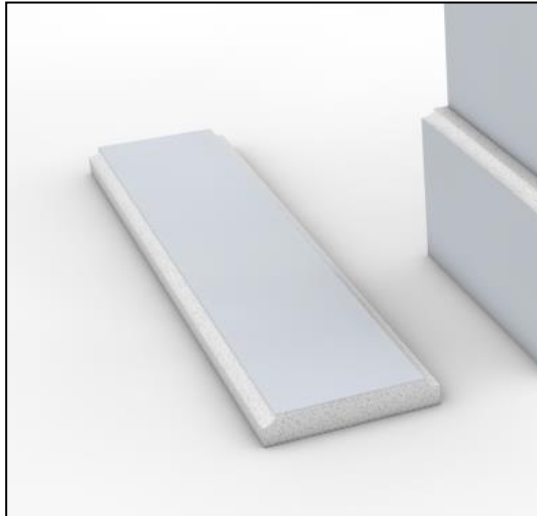
15. Stucco millings – Profiles



00207823



00207812



Part no.	Description
00207823	Milling device 1050 W, 230V
00207812	Profile separation milling cutter - Quarter rod milling cutter

16. Curved profiles



00264169



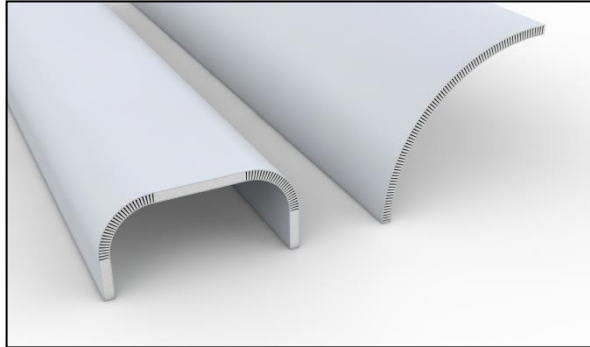
00207832



00207869



00208087



Part no.	Description
00264169	6fold saw longitudinal, 230 V
00207832	6fold saw perpendicular, 230 V
00207869	Set 6 saw blades Ø 120 mm
00208087	Aqua-Akkord fiber cellulose to stabilize curved parts

17. Milling with templates



00207823



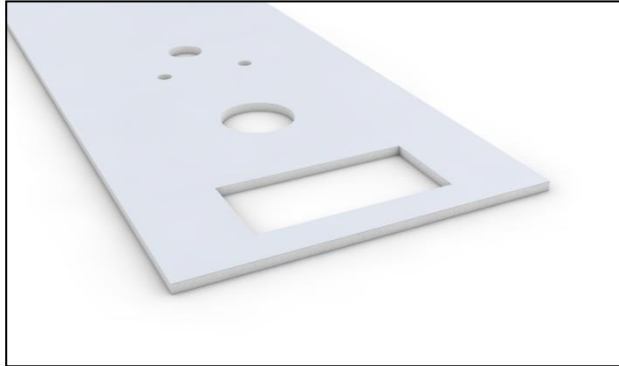
00207795



00207801



00207842



Part no.	Description
00207823	Milling device 1050 W, 230V
00207795	Copying and cutting bit 13 mm
00207801	Copying and scanning plate
00207842	Sanitation template

18. Milling of circles, arches, semicircles



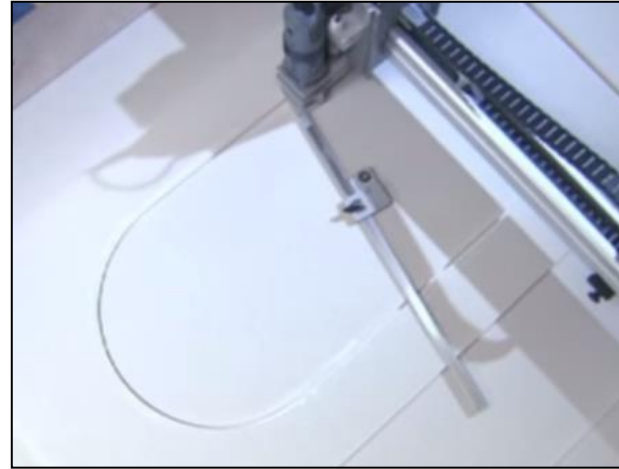
00207823



00207789



00226468



Part no.	Description
00207823	Milling device 1050 W, 230V
00207795	Copying and cutting bit 13 mm
00226468	Circular template up to Ø 1.200 mm

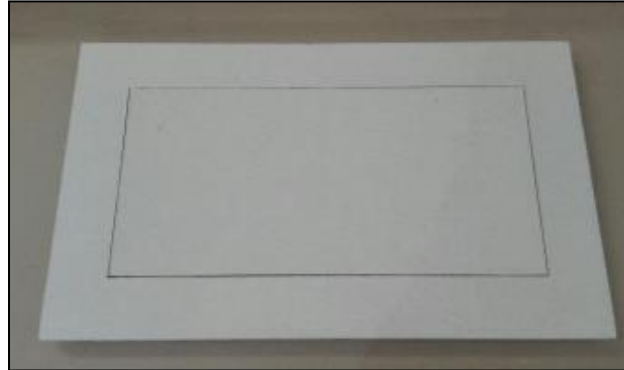
19. Access panels



00207823



00207808



Part no.	Description
00207823	Milling device 1050 W, 230V
00207808	PFTrev - 1 mm bit for access panels, boards up to 13 mm
00207990	PFTrev - 1 mm bit for access panels, boards up to 15 mm

20. Tapered edges for jointing



00471658



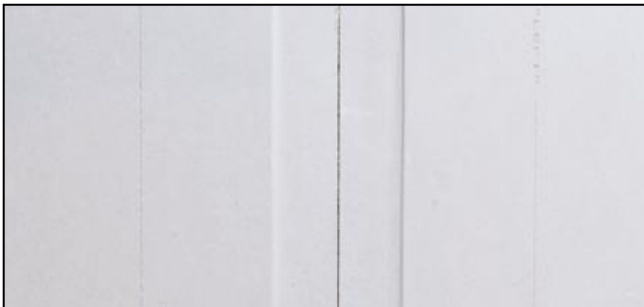
00207852



00208009

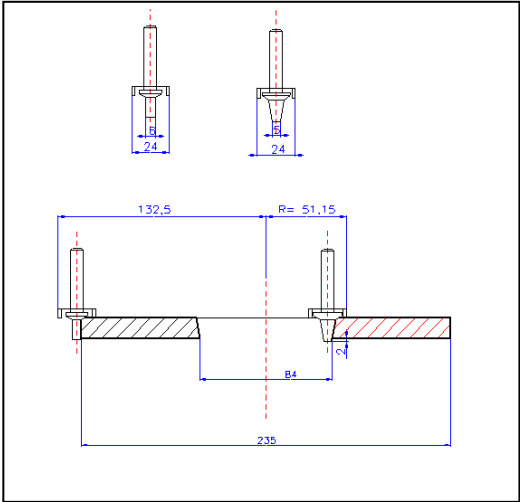
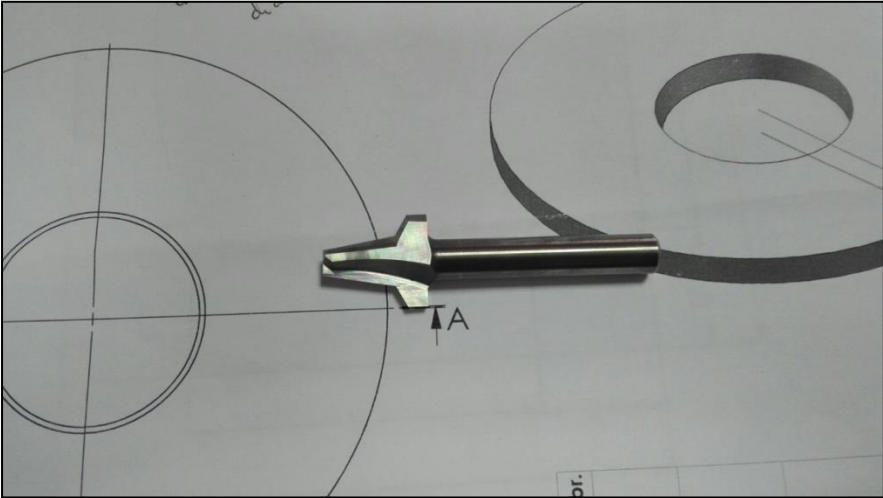


00208338



Ref. no.	Description
00471658	Milling device 1600 W, 230V
00207852	Slide plate for soffit milling cutter, outer, longitudinal
00208009	Soffit edge milling cutter, outer
00208338	Cutting depth quick adjustment

21. Custom made tools



PFT offers custom made tools for different angles or functions.